

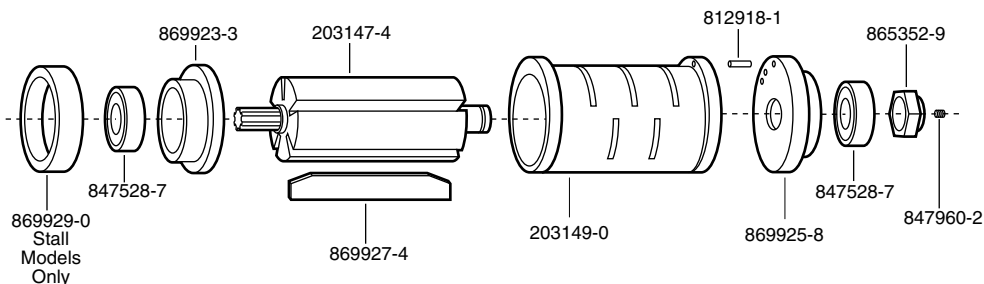
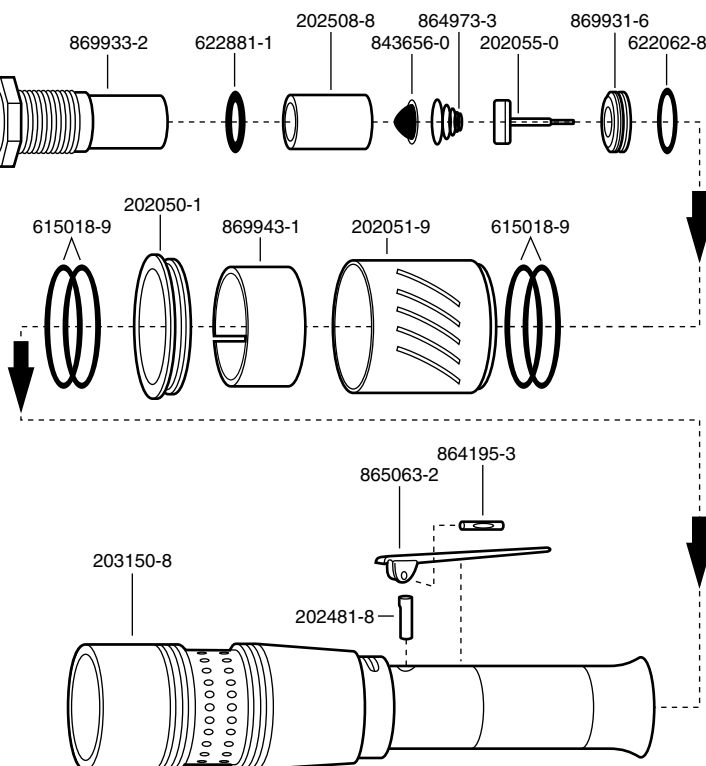
Reference No.	Part No.	Description	Reference No.	Part No.	Description	Reference No.	Part No.	Description
1	MFT 160-419	Centershaft	15	MFT 160-435	Roller Bearing – Front	37	MFT 160-457	Thrust Bearing
2	MFT 160-420	Centershaft Cone, 3-1/2" (88.9 mm)	16	MFT 160-436	Roller Bearing – Rear	38	MFT 160-458	Driveshaft Key
	MFT-160-478	Centershaft Cone, 4" (101.6 mm)	17	MFT 160-437	Needle Bearing – Rear	39	MFT 160-459	Hub Key (2)
3	MFT 160-423	Screw – Wedge Guide (12)	18	MFT 160-438	Rear Housing	40		Expansion Wedges (3)
4	MFT 160-424	Wedge Guide, 3-1/2" (88.9 mm)	19	MFT 160-439	Screw – Rear Housing (12)	MFT 160-460		4-1/2" - 5-1/2" (114.3 - 139.7 mm)
	MFT 160-479	Wedge Guide, 4" (101.6 mm)	20	MFT 160-440	Pipe Plug	MFT 160-470		5-1/2" - 6-1/2" (139.7 - 165.1 mm)
	MFT 160-480	Wedge Guide, 7" (177.8 mm)	21	MFT 160-441	Seal – Rear Housing	MFT 160-471		6-1/2" - 7-1/2" (165.1 - 190.5 mm)
5	MFT 160-425	Draw Rod	22	MFT 160-442	Centershaft Lock	MFT 160-472		7-1/2" - 8-1/2" (190.5 - 215.9 mm)
6	MFT 160-426	Toolholder	23	MFT 160-443	Feed Nut Retainer Ring	MFT 160-473		8-1/2" - 9-1/2" (215.9 - 241.3 mm)
7	MFT 160-427	Seal	24	MFT 160-444	Feed Nut	MFT 160-474		9-1/2" - 10-1/2" (241.3 - 266.7 mm)
8	MFT 160-428	Screw – Toolholder (39)	25	MFT 160-445	Feed Handle (4)	MFT 160-475		10-1/2" - 11-1/2" (266.7 - 292.1 mm)
9	MFT 160-429	Seal – Front Housing	26	MFT 160-446	Air Motor	MFT 160-476		11-1/2" - 12-1/2" (292.1 - 317.5 mm)
10	MFT 160-430	Front Housing	27	MFT 160-447	Driveshaft Bearing (2)	MFT 160-477		12-1/2" - 13-1/2" (317.5 - 342.9 mm)
11	MFT 160-431	Center Hub	28	MFT 160-448	Driveshaft	41	MFT 160-461	Spring (3)
12	MFT 160-432	Worm Gear	29	MFT 160-449	Worm Gear	42	MFT 160-462	Control Knob (4)
13	MFT 160-433	Screw – Worm Gear (6)	30	MFT 160-450	Access Cap	43	215-1012	1/2" - 14 NPT Claw Fitting
14	MFT 160-434	Needle Bearing – Front	31	MFT 160-451	Screw – Access Cap (4)			Air Connector
			32	MFT 160-452	Seal – Driveshaft	44	215-2020	Claw Fitting Rubber Seal
			33	MFT 160-453	Thrust Bearing (2)	45	MFT 160-465	15/16" Combination Wrench
			34	MFT 160-454	Screw – Retainer Ring (6)	46	MFT 160-466	5/32" T-Handle Hex Key
			35	MFT 160-455	Inner Race	47	MFT 160-467	Cap Screw (6)
			36	MFT 160-456	O-Ring	48	215-2012	Claw Fitting Lock Pin
						50	MFT 160-342	Feed Nut Cap Screw

Parts Listing for Reference No. 26 from Front

PARTS LIST - NO. 75 HANDLE & MOTOR

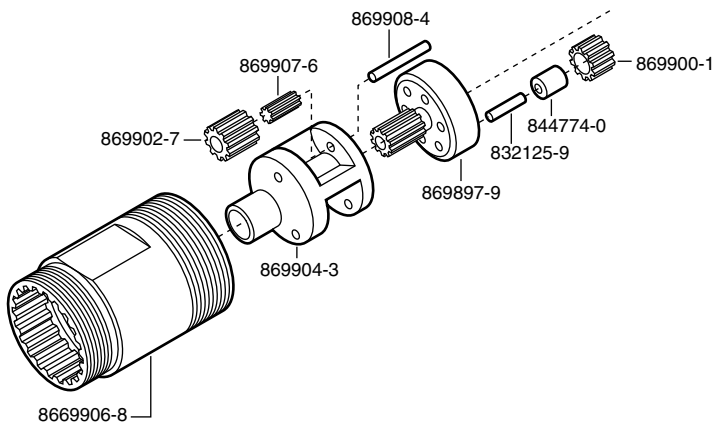
PART NO.	DESCRIPTION	QTY.
202050-1	Deflector Spacer	1
202051-9	Exhaust Deflector	1
202055-0	Throttle Valve	1
202481-8	Throttle Valve Pin	1
202508-8	Inlet Spacer	1
203147-4	Rotor	1
203149-0	Cylinder (Incl. 812918-1)	1
203150-8	Handle	1
615018-1	"O"-Ring 2-1/2" x 2-5/8"	4
622062-8	"O"-Ring 7/8" x 1-1/16"	1
622881-1	"O"-Ring 15/16" x 1-1/8"	1
812918-1	Cylinder PIN	1
843656-0	Air Inlet Screen	1
847960-2	Set Screw	1
847528-7	Rotor Bearing	2
864195-3	Throttle Lever Pin	1
864973-3	Throttle Valve Spring	1
865063-2	Throttle Lever	1
865352-9	Rotor Lock Nut	1
869923-3	Front Bearing Plate	1
869925-8	Rear Bearing Plate	1
869927-4	Rotor Blade	5
869928-2	Rear Bearing Plate	1
869929-4	Motor Spacer*	1
869931-5	Throttle Valve Seat	1
869933-2	Inlet Bushing	1
869943-1	Muffler	1

*Denoters parts not listed in sub-assemblies listed below.



COMPLETE SUB-ASSEMBLY - 201328-2

PART NO.	DESCRIPTION	QTY
869900-1	Idler Gear	1
832125-9	Idler Gear Pin	6
844774-0	Idler Gear Bearing	3
869897-9	Spider - incl. 832125-9	1
869928-2	Gear (21T) - incl. 844774-0	3
869902-7	Idler Gear (18T)	3
869906-8	Gear Case (50T)	1
869904-3	Gear Cage	1
869907-6	Needle Roller (13 Per Gear)	39
869908-4	Idler Gear Pin	3



COMPLETE SUB-ASSEMBLY - 861915-7